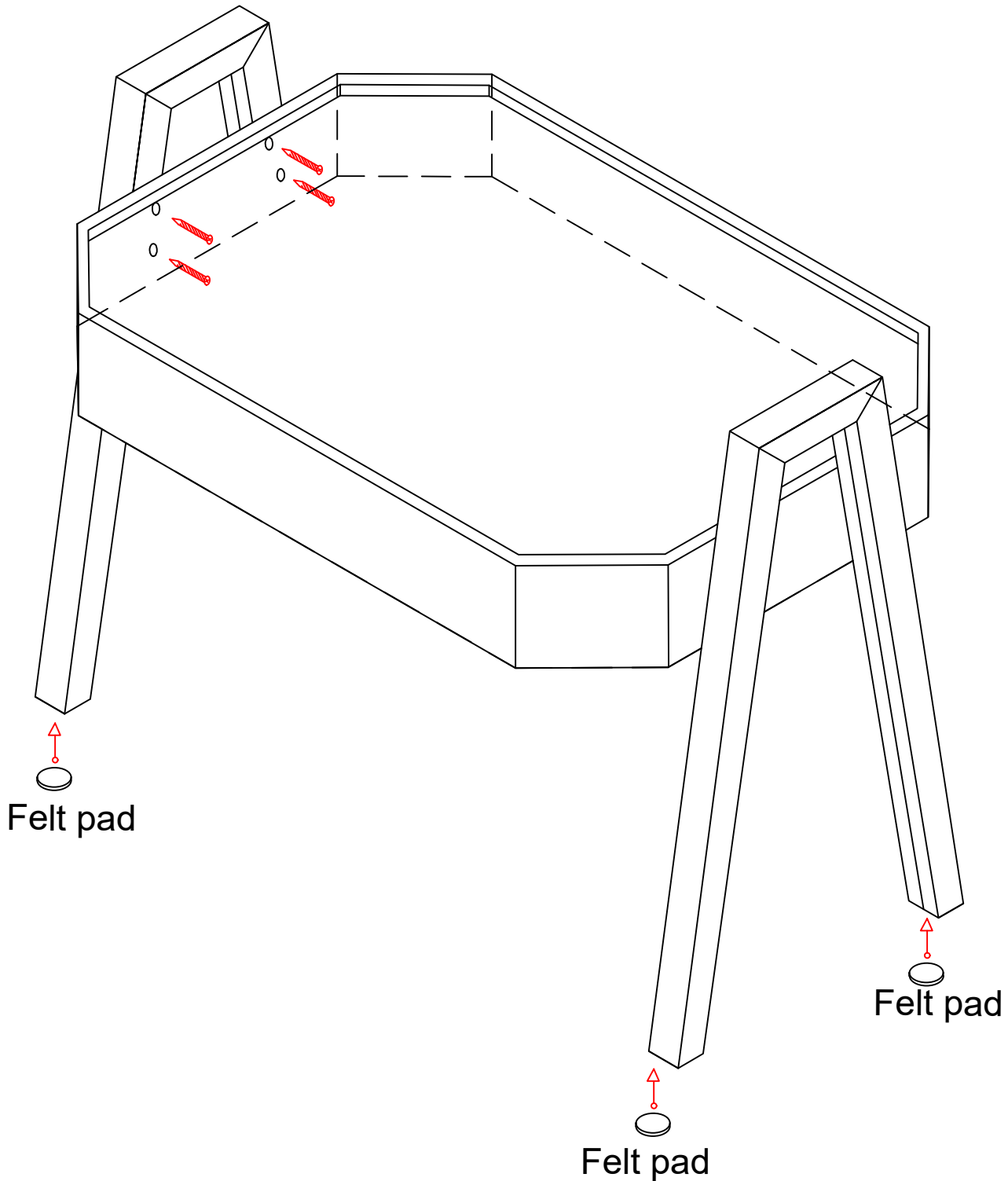


# Assembly Instructions - SET OF 3- POLYGON Nesting Tables



**Note:** Do not tighten the screws completely.

- Position the trays on flat surface.
- Attach the tray to the legs with the mounting screws to the pre-drill holes marked on the tray after balancing.